

FIRE DETECTION TUBE FITTINGS
TECHNICAL DATA SHEET -



AutoFireX® Fire Detection Tube utilises specifically designed Dual Seal Tube fittings and connectors having NBR-O rings for secure sealing and quick connection to the tube.

Description	Slip on Union Threaded	Slip on Elbow Threaded	Slip on Tee Threaded	Slip on Tee (Tube only)	Slip on Elbow (tube only)	Slip on inline (tube only)
Part Number	2000101	200102	200103	200104	200105	20016
Material	High grade Brass Nickle plated	High grade Brass Nickle plated	High grade Brass Nickle plated	High grade Brass Nickle plated	High grade Brass Nickle plated	High grade Brass Nickle plated
Thread Size/ ID/OD	1/8" BSP 6mm/4mm	1/8" BSP 6mm/4mm	1/8" BSP 6mm/4mm	6mm/4mm	6mm/4mm	6mm/4mm
Operating Pressure	15-25 Bar	15-25 Bar	15-25 Bar	15-25 Bar	15-25 Bar	15-25 Bar
Max Pressure	60 Bar	60 Bar	60 Bar	60 Bar	60 Bar	60 Bar
Operating Temp.	-20°C to +80°C	-20°C to +80°C	-20°C to +80°C	-20°C to +80°C	-20°C to +80°C	-20°C to +80°C

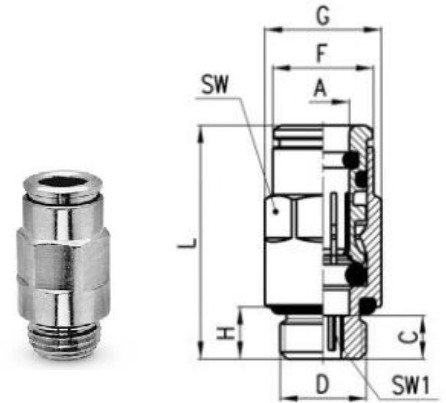


AutoFireX

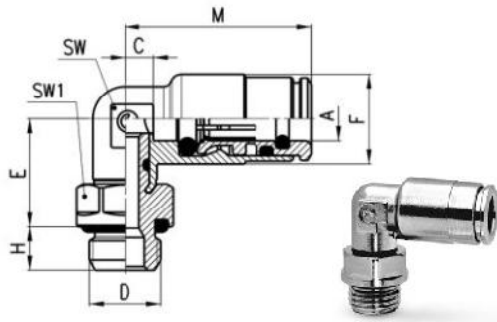
Automatic Fire Suppression systems

BSP Male Connector- AFX-200101

DIMENSIONS										
Product Code	A	D	C	F	G	H	L	SW	SW1	Weight(g)
AFX-200101 6-1/8	6	G/8	5	11.7	13.5	6	27	12	4	15



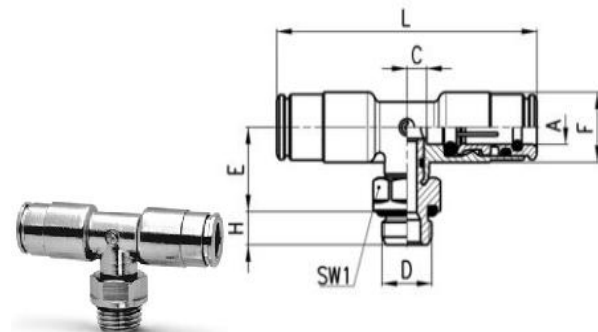
BSP SWIVEL MALE ELBOW – AFX-200102



DIMENSIONS										
Product Code	A	D	C	F	G	H	L	SW	SW1	Weight(g)
AFX-200102 6-1/8	6	G/8	4	15	12.5	6	26	10	12	23

BSP SWIVEL MALE TEE – AFX-200103

DIMENSIONS										
Product Code	A	D	C	F	G	H	L	SW	SW1	Weight(g)
AFX-200103 6-1/8	6	G/8	4	15	12.5	6	26	10	12	23



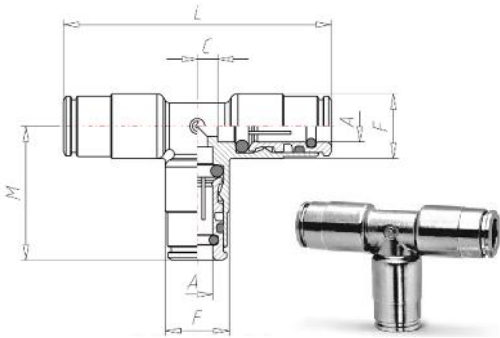
www.autofirex.co.uk

AutoFireX Limited. Regd. Office 12, High Street, Stonehouse, England, Gloucestershire, GL10 2NA, United Kingdom
Company Registration No. 11553258; VAT Registration No. 305 7385 04



AutoFireX
Automatic Fire Suppression systems

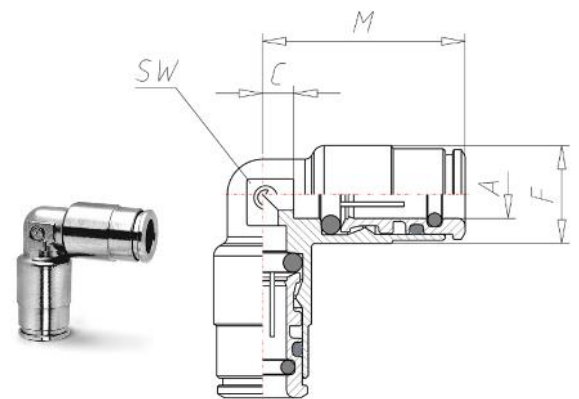
DUAL SEAL SLIP ON TEE CONNECTOR (TUBE) – AFX-200104



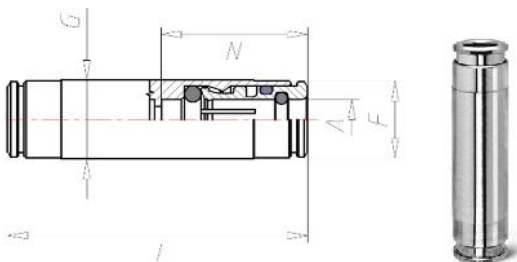
DIMENSIONS										
Product Code	A	D	C	F	G	M	L	SW	SW1	Weight(g)
AFX-200104 6-1/8	6	G/8	4	12.5	12.5	26	52	-	-	23

DUAL SEAL SLIP ON ELBOW (TUBE) – AFX-200105

DIMENSIONS										
Product Code	A	D	C	F	G	H	L	SW	SW1	Weight(g)
AFX-200105 6-1/8	6	-	4	12.5	-	6	26	10	-	23



DUAL SEAL SLIP ON LINE CONNECTOR (TUBE) – AFX-200106



DIMENSIONS										
Product Code	A	D	C	F	G	H	L	N	SW1	Weight(g)
AFX-200106 6-1/8	6	-	4	11.7	12	6	45		10	23

www.autofirex.co.uk

AutoFireX Limited. Regd. Office 12, High Street, Stonehouse, England, Gloucestershire, GL10 2NA, United Kingdom
Company Registration No. 11553258; VAT Registration No. 305 7385 04